

# ALFRED TEVES BRAKE SYSTEMS (PTY) LTD

## TECHNICAL BULLETIN

03 June 2022

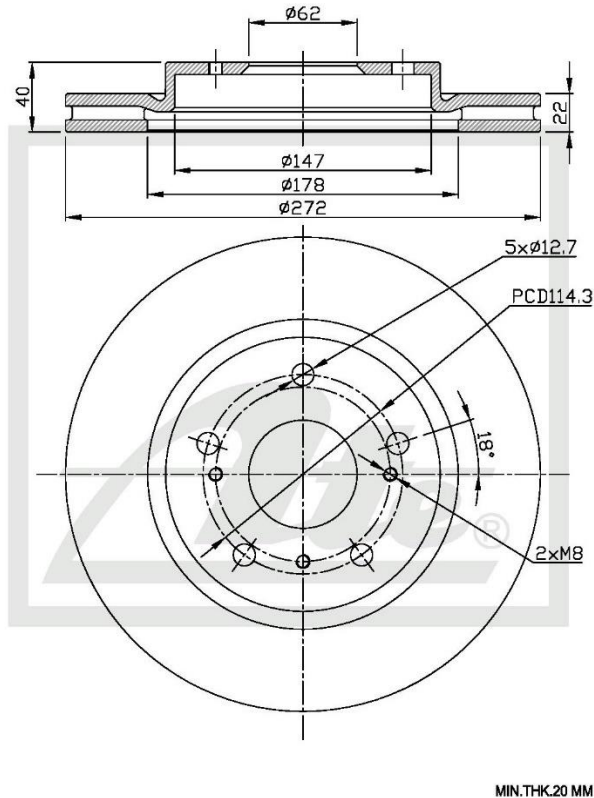


(ATE and Teves are registered trademarks of Continental Teves AG & Co oHG and/or its affiliates in Frankfurt Germany and other Countries)

# 122.1103

### NEW PART NUMBER

#### Drawing



#### Details of New Part

Brake Disc – Front

#### Product Dimensions

Diameter – 272mm

Thickness - 22mm

Height – 40mm

PCD – 114.3mm

Spigot – 62mm

#### Package Dimensions

Weight –2500g

L – 294.86mm

W – 288.44mm

H – 56.61mm

#### Barcode



#### Vehicle Applications

SUZUKI ERTIGA I (AVI\_) 1.4 VVT (2012-2018); SUZUKI SWIFT II (FZ, NZ) 1.2 (2013-2017); SUZUKI SWIFT II (FZ, NZ) 1.2 VVT (2015-2017); SUZUKI SWIFT II (FZ, NZ) 1.4 (2011-2017); SUZUKI SWIFT II (FZ, NZ) 1.6 Sport (2012-2017).

Front Position Rear



**CALL NOW TO ORDER YOUR STOCK!!!**

(011) 898 1800

Picture(s) of the vehicle(s) that this part is suitable for



"Single Minded about YOUR Safety"